

## Exit Hardware - Outside Access Device

1413.KE  
1413.LE  
9260

### Introduction

When used as part of the panic or emergency exit hardware solution, the Briton 1413 and 9260 units will provide a strong and durable means of access, lockable from outside.

Suitable for all high traffic applications

### 1413 Features & Functions

- Tested up to 200,000 cycles.
- Anti vandal design allows the lever to rotate when the unit is locked.
- Long lever provides good grip and easy action.
- Common footprint allows units to be interchanged.
- Suitable for single or double door applications.
- Supplied with 40mm euro profile standard differ cylinder (also available keyed alike or masterkeyed).
- Lever version is site reversible.
- Lever version is BS8300 compliant.
- Optional key retention feature.

### 9260 Features & Functions

- Suitable for single or double door applications
- Site reversible
- Anti vandal design allows the lever to rotate when the unit is locked.
- 2047 non sequential codes.
- Supplied with extra long spindles for use with Briton exit devices
- Code changed by removing the unit from the door
- Not suitable for use with Briton 379.N or 389.N



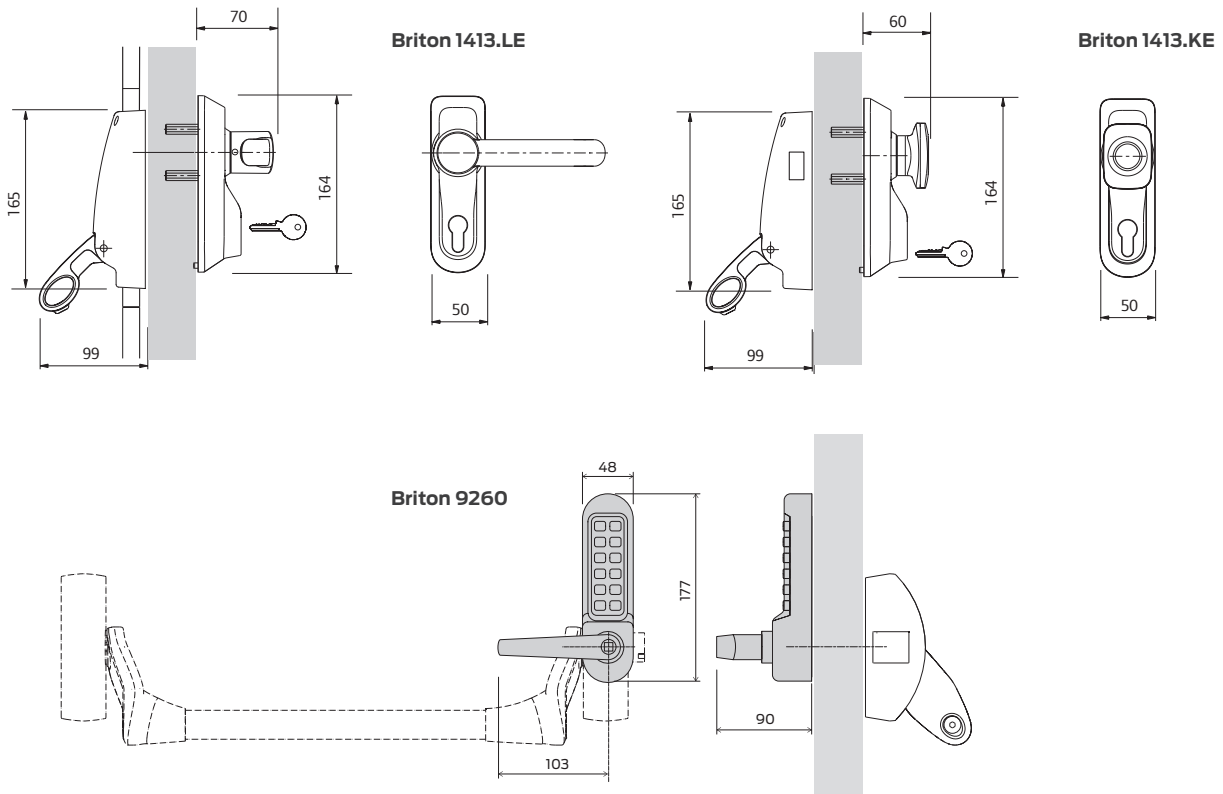
### Certification

Environmental Product Declaration in accordance with ISO 14025 and EN 15803

DoP available at [www.britondops.co.uk](http://www.britondops.co.uk)

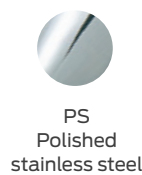
## Outside Access Devices 1413.KE, 1413.LE & 9260

| Product features                       | Product references             |  |                               |
|--|--------------------------------|--|-------------------------------|
|  | 1413.KE                        | 1413.LE                                | 9260                          |
| Suitable for panic exit devices        | ■                              | ■                                      | ■                             |
| Suitable for emergency exit devices    | ■                              | ■                                      | ■                             |
| Access provided by                     | knob and euro profile cylinder | lever handle and euro profile cylinder | lever handle and digital code |
| Suitable for high traffic applications |                                | ■                                      | ■                             |
| Suitable for door thicknesses          | 40 - 70mm                      | 40 - 70mm                              | 40 - 60mm                     |
| Supplied with euro profile cylinder    | ■                              | ■                                      | ■                             |
| Version without cylinder               | 1413.N.KE                      | 1413.N.LE                              | 1413.N.KE                     |
| Site reversible                        | ■                              | ■                                      | ■                             |
| Finishes available                     | SE, SSS*, PB, PS               | SE, SSS*, PB, PS                       | SSS*                          |



### Finishes

Available in sprayed silver and PVD plated finishes.



\* PVD plated finish